

ALBION 18/10 STAINLESS STEEL INSET SINK AL9501/TCAD2CM



Size: 950 x 508 mm

Paying homage to its UK manufacture in the heart of the Midlands, Albion features a modern drainer design with distinctive straight lines and soft curved bowls.

- Complete pack: which includes sink, tap and compatible waste kit
- Sink features a reversible drainer in a polished finish
- Sink is manufactured from 18/10 stainless steel
- Dual lever tap in chrome finish
- WRAS approved tap
- Basket strainer waste and overflow kit included
- 10 year warranty for sink, 5 year warranty for tap

Material	18/10 Stainless Steel
Material Gauge	0.7
Material Finish Bowl	Polished
Material Finish Drainer	Polished
Drainer Position	Reversible
Overall Length (mm)	950
Overall Width (mm)	508
Main Bowl Length (mm)	360
Main Bowl Width (mm)	424
Main Bowl Depth (mm)	155
Second Bowl Length (mm)	-
Second Bowl Width (mm)	-
Second Bowl Depth (mm)	-
Tap hole Size (mm)	1 x 35
Waste Size (mm)	1 x 92
Waste Kit:	Included with sink (1 x BSW & overflow kit)
Min. Base Unit (mm)	500
Cutout Size Length (mm)	930
Cutout Size Width (mm)	488
Warranty Sinks (years)	10
Product Code	AL9501/TCAD2CM
Barcode	5015834051055

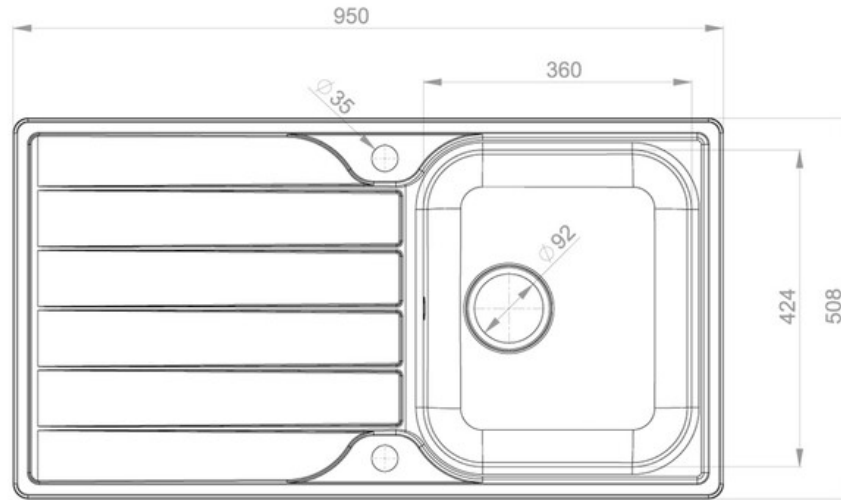
Date of download: May 13, 2021

AGA Rangemaster continuously seeks improvements in specification, design and production of products and thus, alterations take place periodically. Whilst every effort is made to produce up to date resources, the information included here is intended as a guide. Always refer to the installation instructions when fitting, installation work should be completed by a professional tradesman.

ALBION 18/10 STAINLESS STEEL INSET SINK

AL9501/TCAD2CM

Technical Drawing



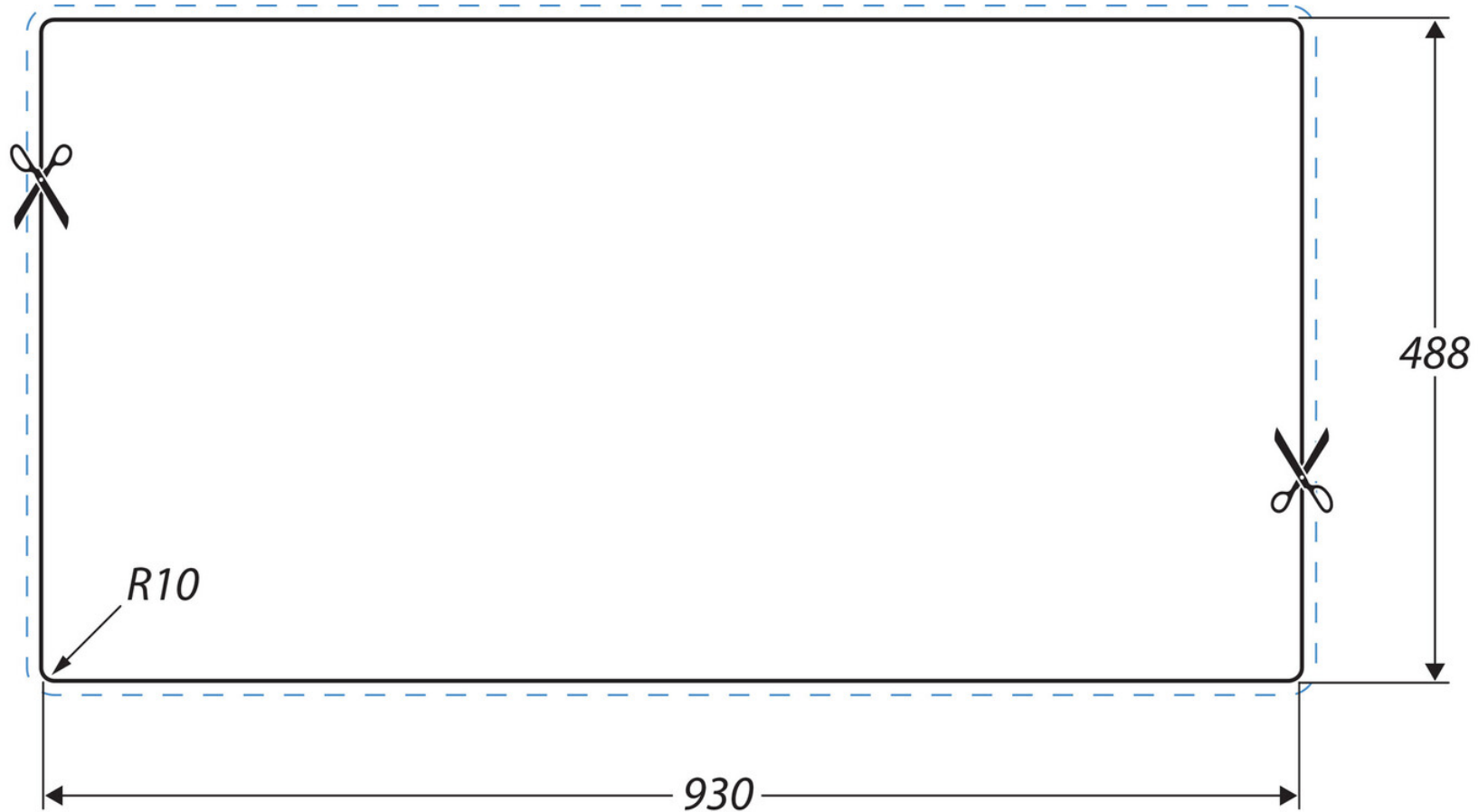
Date of download: May 13, 2021

AGA Rangemaster continuously seeks improvements in specification, design and production of products and thus, alterations take place periodically. Whilst every effort is made to produce up to date resources, the information included here is intended as a guide. Always refer to the installation instructions when fitting, installation work should be completed by a professional tradesman.

ALBION 18/10 STAINLESS STEEL INSET SINK

AL9501/TCAD2CM

Cut Out Template
Dimensions in mm. Not to scale.



Date of download: May 13, 2021

AGA Rangemaster continuously seeks improvements in specification, design and production of products and thus, alterations take place periodically. Whilst every effort is made to produce up to date resources, the information included here is intended as a guide. Always refer to the installation instructions when fitting, installation work should be completed by a professional tradesman.