

EUROLINE 18/10 STAINLESS STEEL INSET SINK EL950289NC/



Size: 950 x 508 mm

The Euroline collection features soft curved bowls with a recessed drainer design. Euroline is available in a multitude of different sizes, finishes and bowl configurations, offering a solution for every installation.

- Fits a 600mm cabinet
- Reversible installation
- Satin bowl, bright drainer
- Manufactured from 18/10 stainless steel
- 10 year warranty

Waste kit sold separately, please order WKIT04/ or WKIT23/

Material	18/10 Stainless Steel
Material Gauge	0.7
Material Finish Bowl	Satin
Material Finish Drainer	Bright
Drainer Position	Reversible
Overall Length (mm)	950
Overall Width (mm)	508
Main Bowl Length (mm)	340
Main Bowl Width (mm)	424
Main Bowl Depth (mm)	150
Second Bowl Length (mm)	156
Second Bowl Width (mm)	300
Second Bowl Depth (mm)	125
Tap hole Size (mm)	1 x 35
Waste Size (mm)	2 x 92
Waste Kit:	Sold separately, please order WKIT04/
Min. Base Unit (mm)	600
Cutout Size Length (mm)	930
Cutout Size Width (mm)	488
Warranty Sinks (years)	10
Product Code	EL950289NC/
Barcode	5015834048512

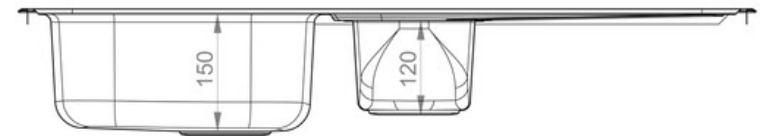
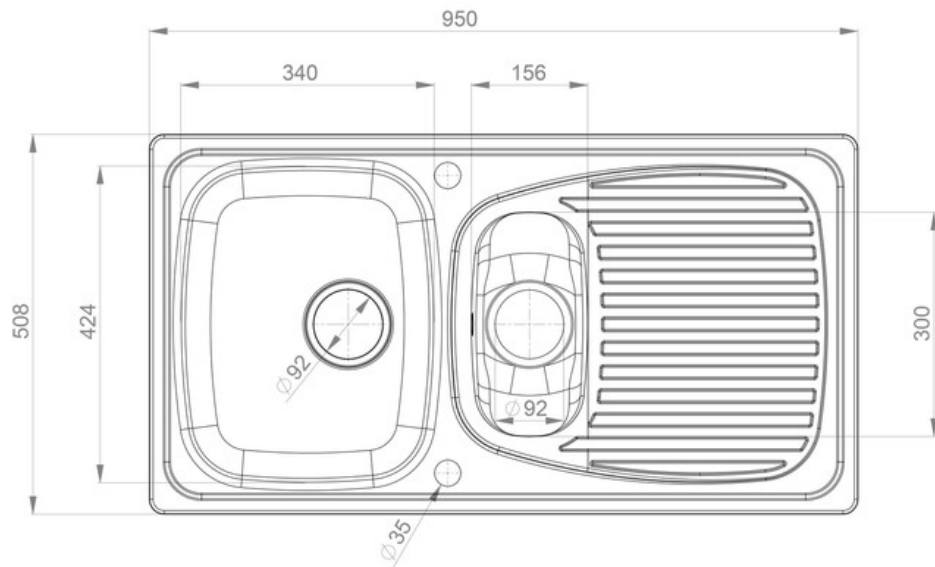
Date of download: May 13, 2021

AGA Rangemaster continuously seeks improvements in specification, design and production of products and thus, alterations take place periodically. Whilst every effort is made to produce up to date resources, the information included here is intended as a guide. Always refer to the installation instructions when fitting, installation work should be completed by a professional tradesman.

EUROLINE 18/10 STAINLESS STEEL INSET SINK

EL950289NC/

Technical Drawing



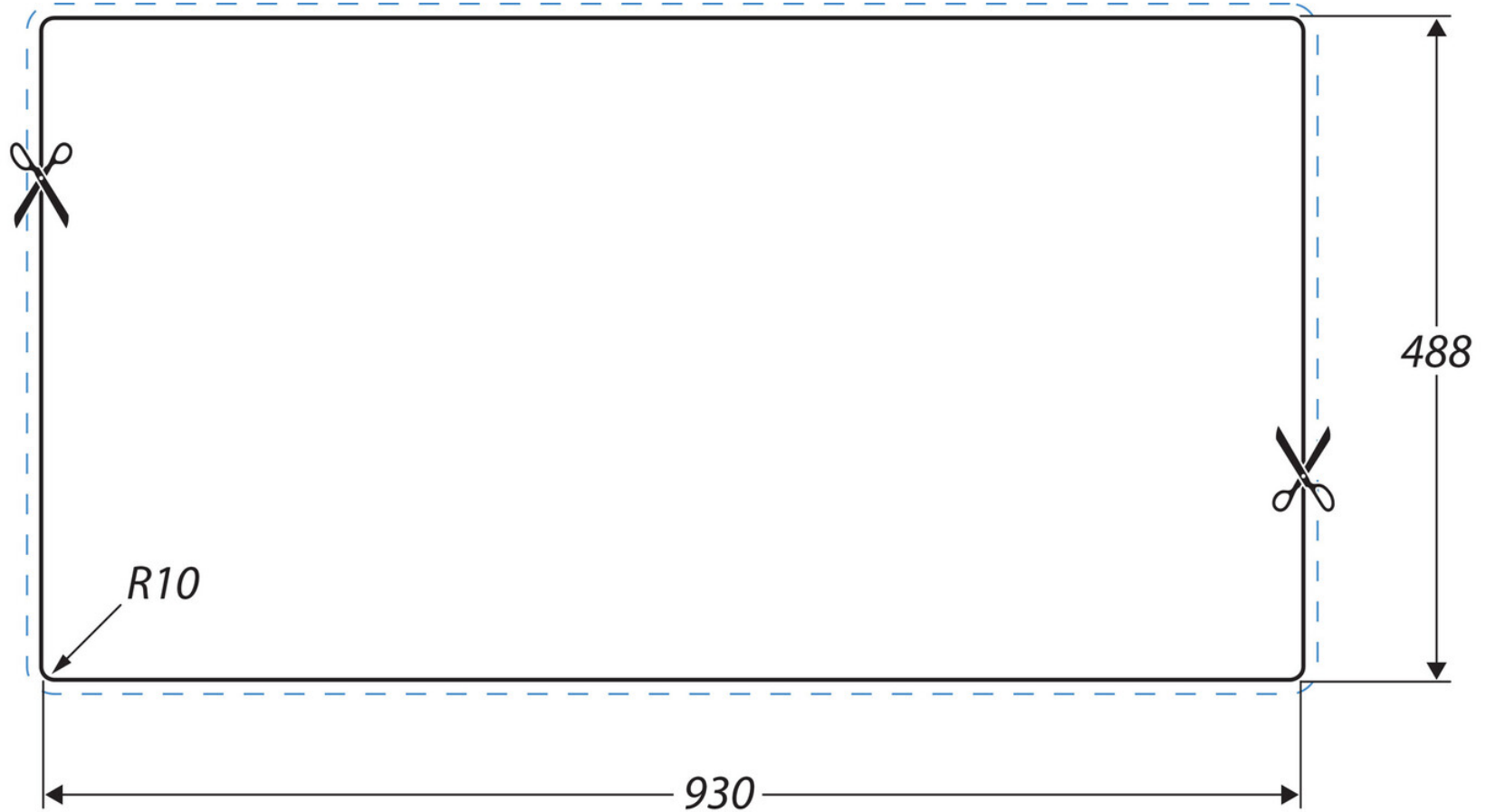
Date of download: May 13, 2021

AGA Rangemaster continuously seeks improvements in specification, design and production of products and thus, alterations take place periodically. Whilst every effort is made to produce up to date resources, the information included here is intended as a guide. Always refer to the installation instructions when fitting, installation work should be completed by a professional tradesman.

EUROLINE 18/10 STAINLESS STEEL INSET SINK

EL950289NC/

Cut Out Template
Dimensions in mm. Not to scale.



Date of download: May 13, 2021

AGA Rangemaster continuously seeks improvements in specification, design and production of products and thus, alterations take place periodically. Whilst every effort is made to produce up to date resources, the information included here is intended as a guide. Always refer to the installation instructions when fitting, installation work should be completed by a professional tradesman.