

## CONTRACT 18/10 STAINLESS STEEL SIT\_ON SINK LC106R/



Size: 1000 x 600 mm

Designed to sit on top of the cabinet, the contract sink collection is available in two different widths to suit 500mm or 600mm width worktops and available in two different front ledge designs, roll front or square front.

- Square front ledge
- 600mm width
- Right-hand drainer
- Satin bowl, bright drainer
- Manufactured from 18/10 stainless steel
- 10 year warranty

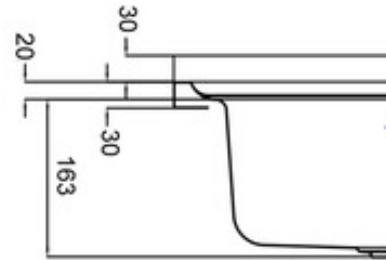
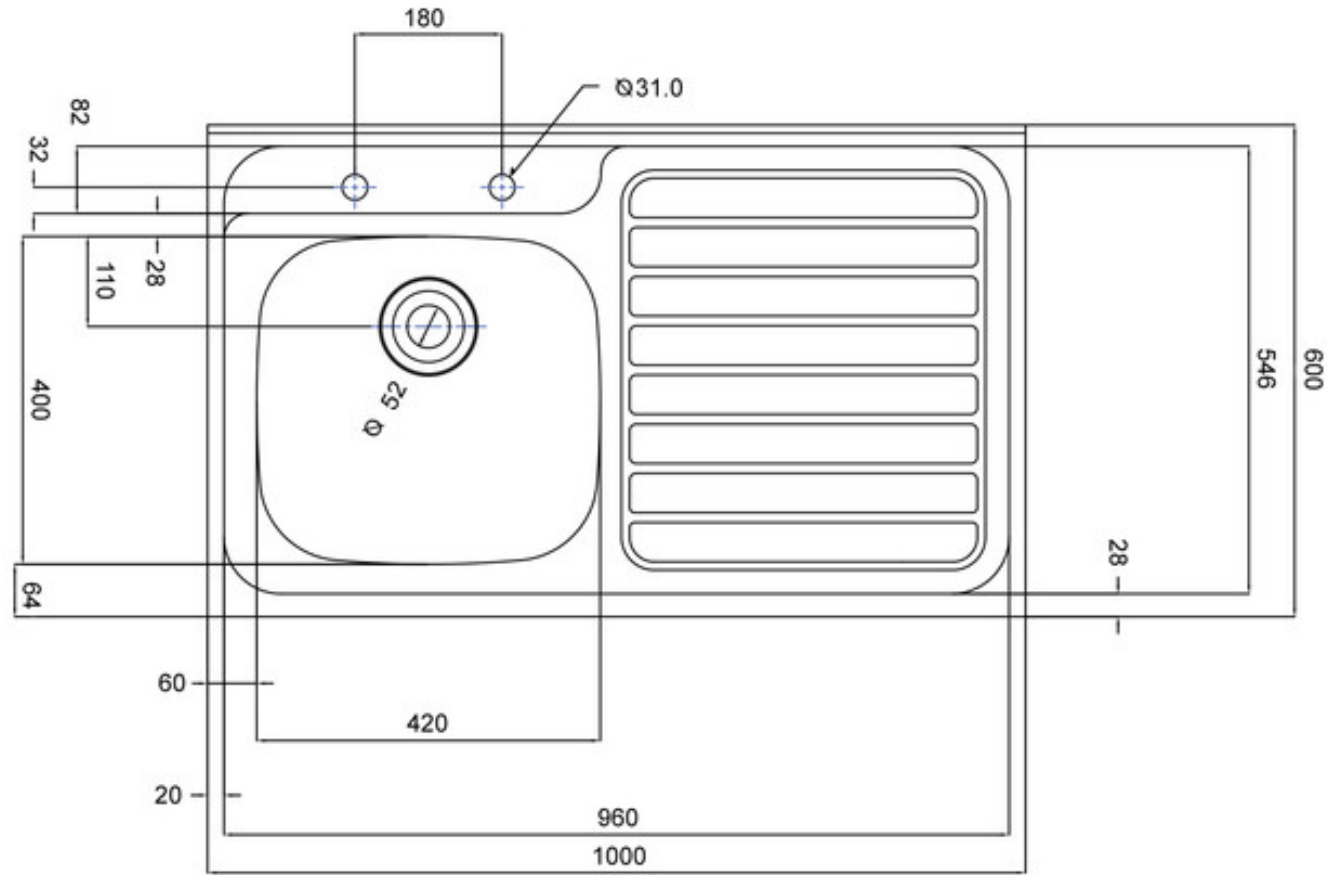
Waste kit sold separately, please order WKIT05/ or WKIT17/

Material
Material Gauge
Material Finish Bowl
Material Finish Drainer
Drainer Position
Overall Length (mm)
Overall Width (mm)
Main Bowl Length (mm)
Main Bowl Width (mm)
Main Bowl Depth (mm)
Second Bowl Length (mm)
Second Bowl Width (mm)
Second Bowl Depth (mm)
Tap hole Size (mm)
Waste Size (mm)
Waste Kit:
Min. Base Unit (mm)
Cutout Size Length (mm)
Cutout Size Width (mm)
Warranty Sinks (years)
Product Code
Barcode

# CONTRACT 18/10 STAINLESS STEEL SIT\_ON SINK

LC106R/

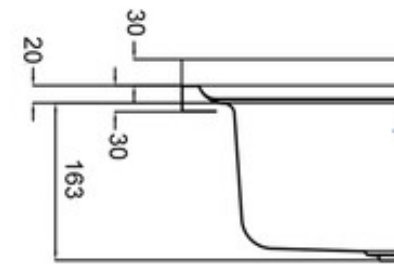
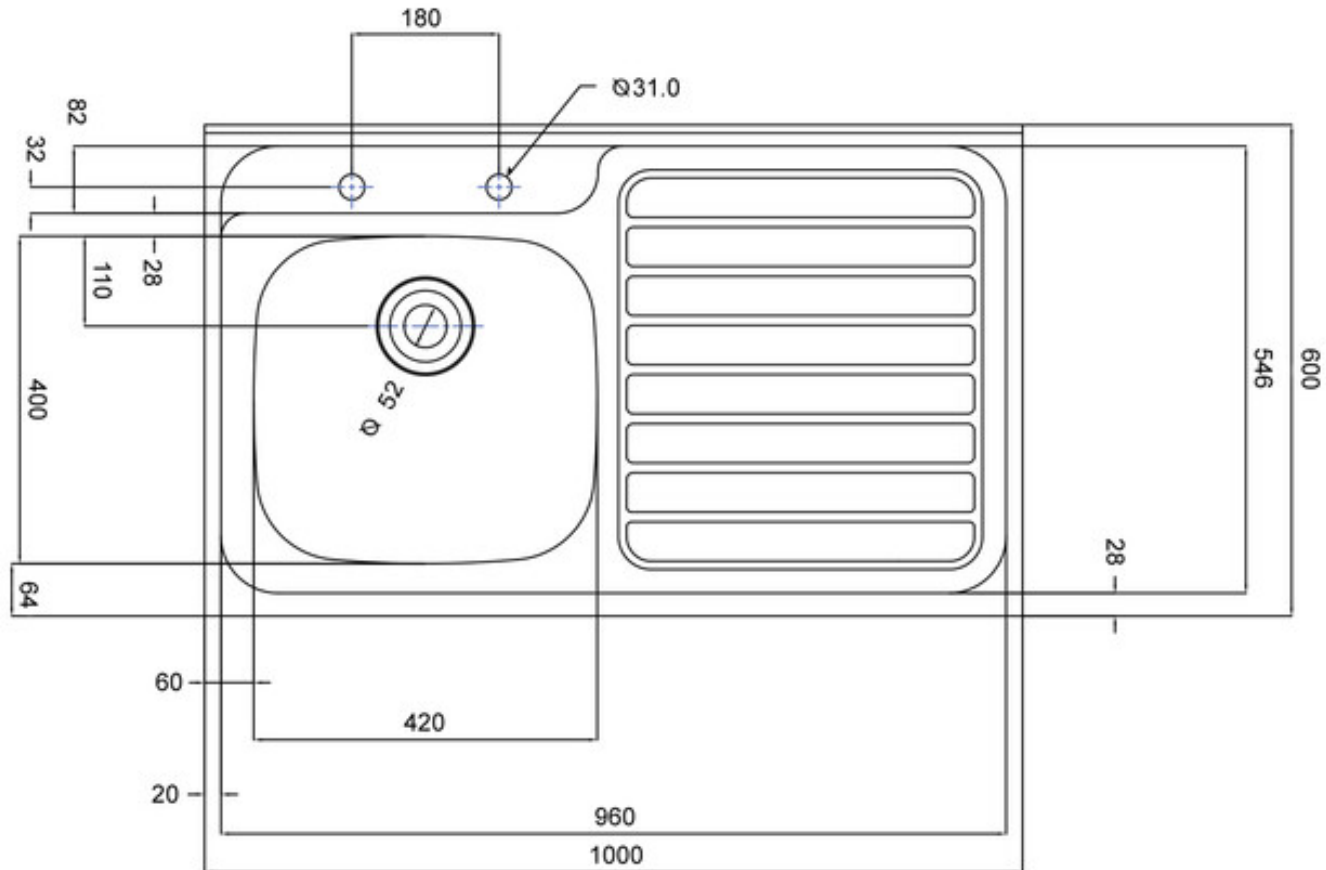
Technical Drawing



AGA Rangemaster continuously seeks improvements in specification, design and production of products and thus, alterations take place periodically. Whilst every effort is made to produce up to date resources, the information included here is intended as a guide. Always consult your AGA Rangemaster tradesman.

## CONTRACT 18/10 STAINLESS STEEL SIT\_ON SINK LC106R/

Cut Out Template  
Dimensions in mm. Not to scale.



AGA Rangemaster continuously seeks improvements in specification, design and production of products and thus, alterations take place periodically. Whilst every effort is made to produce up to date resources, the information included here is intended as a guide. Always consult a tradesman.