

LEXIN 18/10 STAINLESS STEEL INSET SINK LE95L/DMTC



Size: 950 x 508 mm

The Lexin collection remains a firm favourite thanks to its appealing design, which features a recessed drainer with bold lines. The Lexin collection is available in several tap hole configurations and material steel thicknesses.

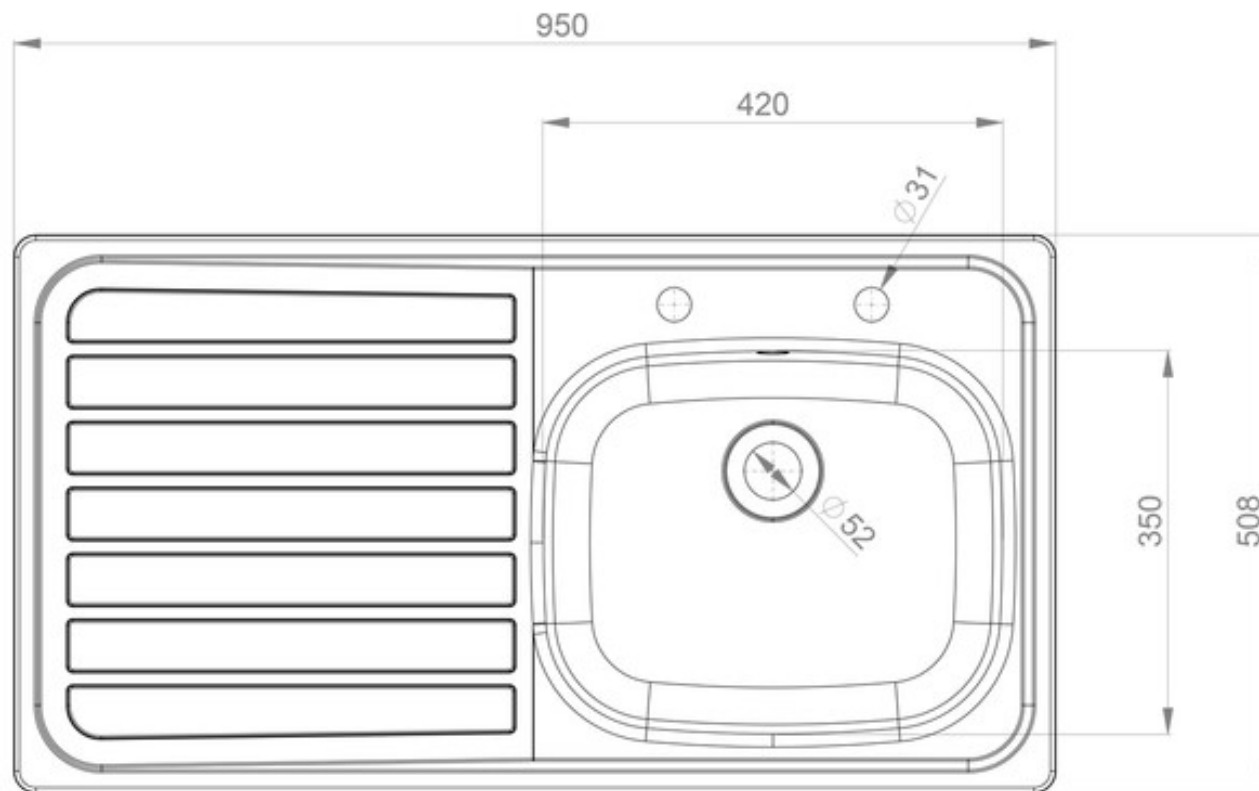
- Complete pack: includes sink, tap and compatible waste kit
- Fits a 500mm cabinet
- Sink features a left-hand drainer in a satin/ bright finish
- Sink is manufactured from 18/10 stainless steel
- Dual lever deck-mounted tap in chrome finish
- WRAS approved tap
- Reduced waste and overflow kit included
- 10 year warranty for sink, 5 year warranty for tap

Material
Material Gauge
Material Finish Bowl
Material Finish Drainer
Drainer Position
Overall Length (mm)
Overall Width (mm)
Main Bowl Length (mm)
Main Bowl Width (mm)
Main Bowl Depth (mm)
Second Bowl Length (mm)
Second Bowl Width (mm)
Second Bowl Depth (mm)
Tap hole Size (mm)
Waste Size (mm)
Waste Kit:
Min. Base Unit (mm)
Cutout Size Length (mm)
Cutout Size Width (mm)
Warranty Sinks (years)
Product Code
Barcode

LEXIN 18/10 STAINLESS STEEL INSET SINK

LE95L/DMTC

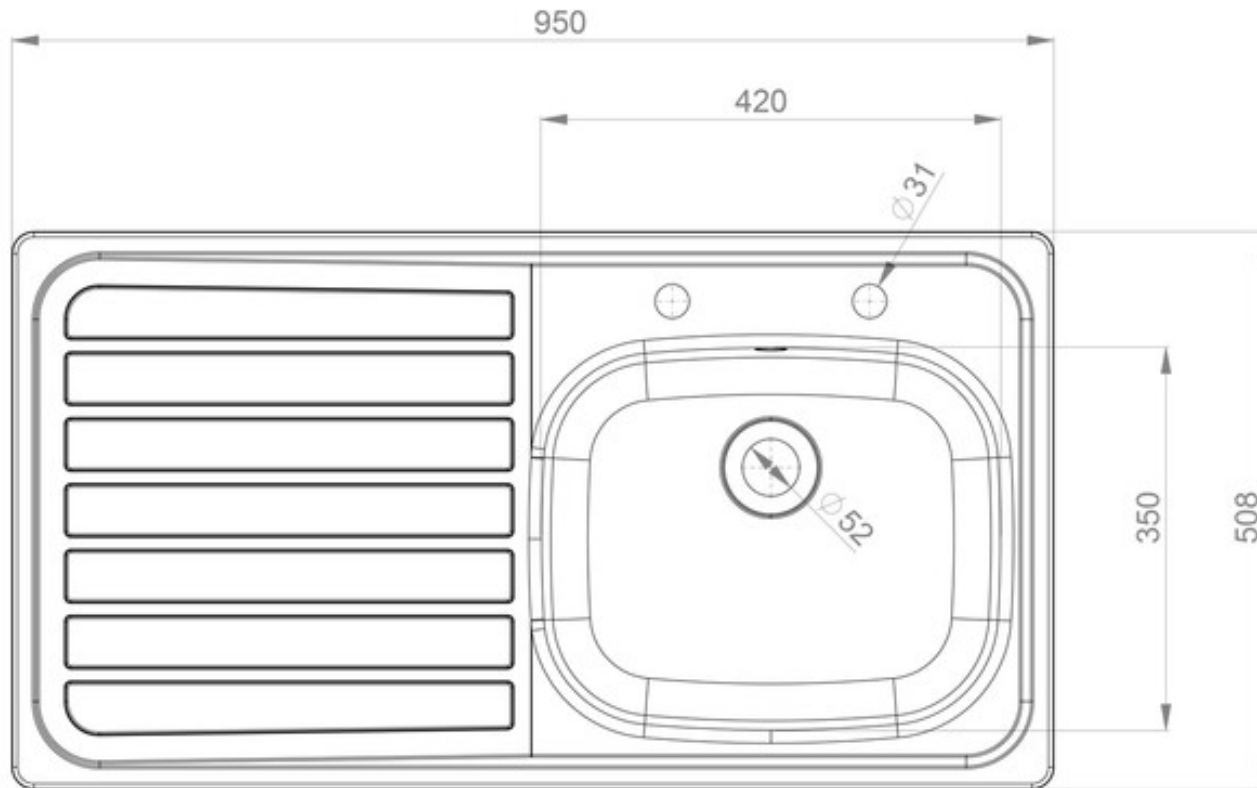
Technical Drawing



AGA Rangemaster continuously seeks improvements in specification, design and production of products and thus, alterations take place periodically. Whilst every effort is made to produce up to date resources, the information included here is intended as a guide. Always consult a qualified tradesman.

LEXIN 18/10 STAINLESS STEEL INSET SINK LE95L/DMTC

Cut Out Template
Dimensions in mm. Not to scale.



AGA Rangemaster continuously seeks improvements in specification, design and production of products and thus, alterations take place periodically. Whilst every effort is made to produce up to date resources, the information included here is intended as a guide. Always consult a tradesman.