

LINEAR 18/10 STAINLESS STEEL INSET SINK

LN9502/TCAD4-AN



Size: 950 x 508 mm

The Linear collection is a popular range thanks to its versatile styling, the design features classic lines paired with soft bowls. The Linear collection is available in an array of sizes, finishes and bowl configurations, offering a solution for every installation.

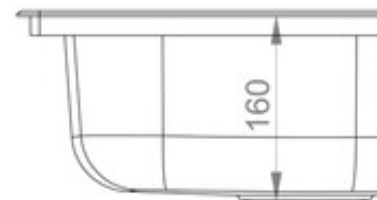
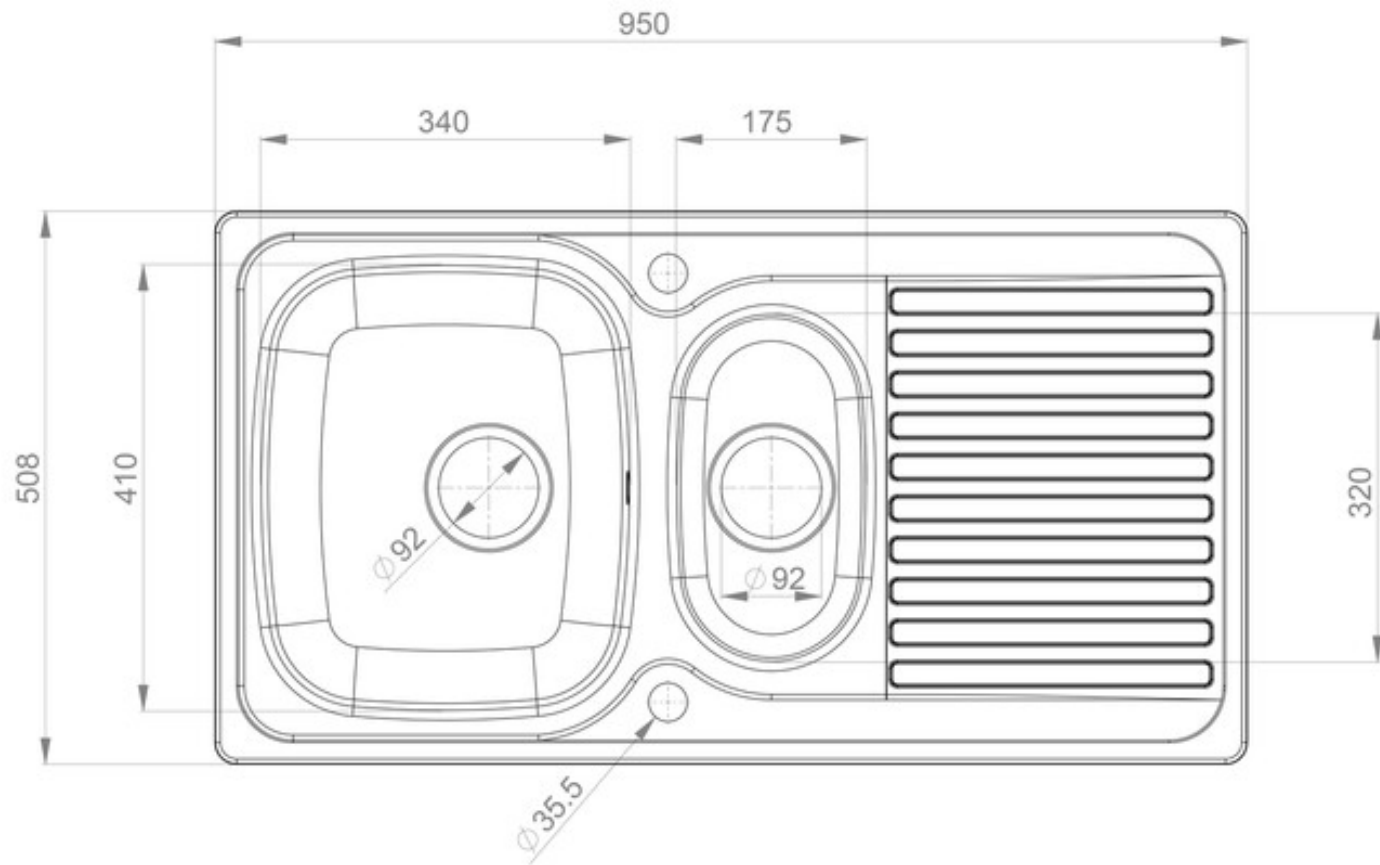
- Complete pack: includes sink, tap and compatible waste kit
- Fits a 600mm cabinet
- Sink features a reversible drainer in a satin/bright finish
- Sink is manufactured from 18/10 stainless steel
- Dual lever tap in chrome finish
- WRAS approved tap
- Basket strainer waste and overflow kit included
- 10 year warranty for sink, 5 year warranty for tap

| |
|-------------------------|
| Material |
| Material Gauge |
| Material Finish Bowl |
| Material Finish Drainer |
| Drainer Position |
| Overall Length (mm) |
| Overall Width (mm) |
| Main Bowl Length (mm) |
| Main Bowl Width (mm) |
| Main Bowl Depth (mm) |
| Second Bowl Length (mm) |
| Second Bowl Width (mm) |
| Second Bowl Depth (mm) |
| Tap hole Size (mm) |
| Waste Size (mm) |
| Waste Kit: |
| Min. Base Unit (mm) |
| Cutout Size Length (mm) |
| Cutout Size Width (mm) |
| Warranty Sinks (years) |
| Product Code |
| Barcode |

LINEAR 18/10 STAINLESS STEEL INSET SINK

LN9502/TCAD4-AN

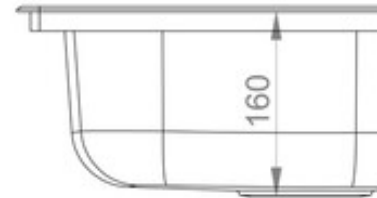
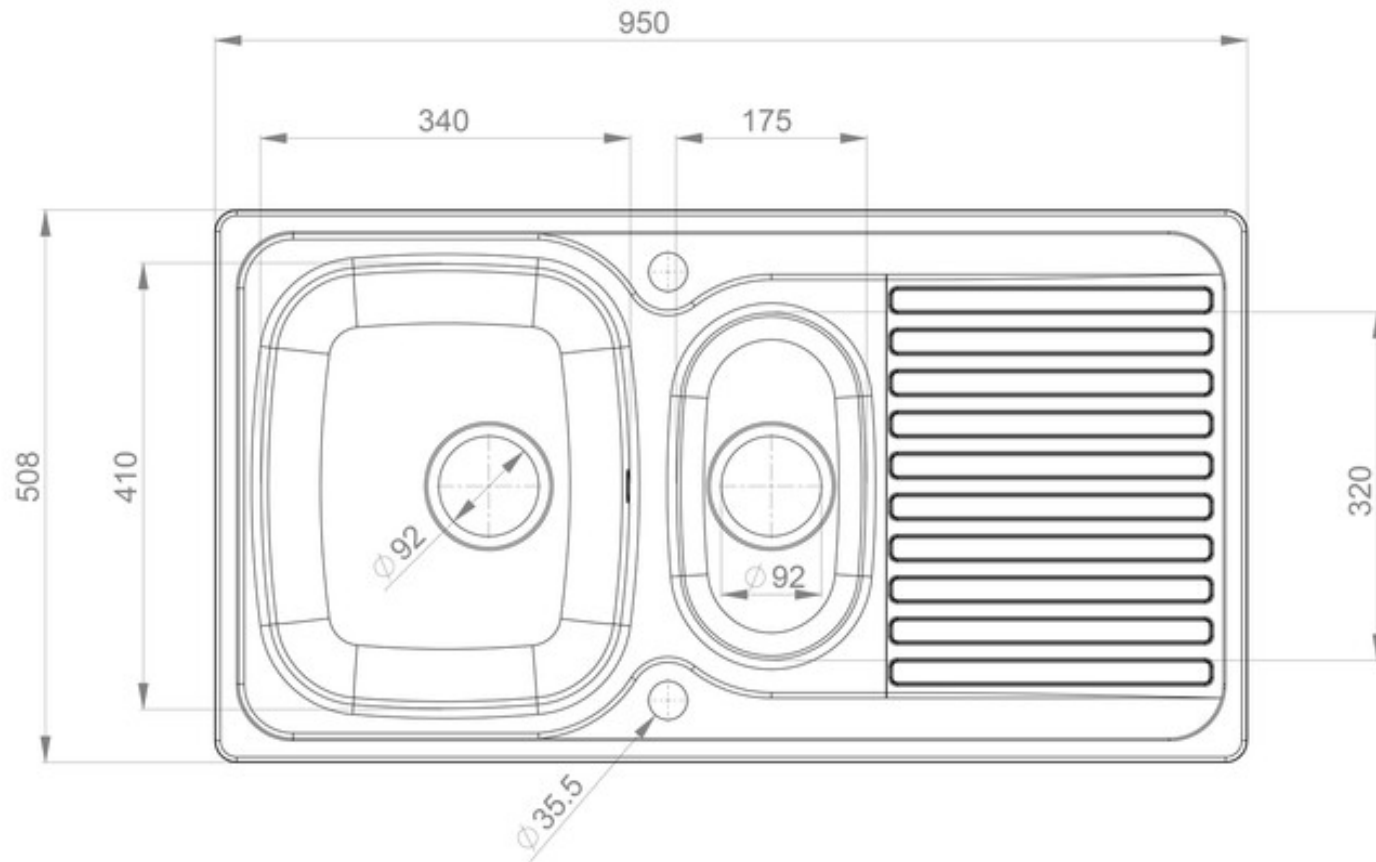
Technical Drawing



AGA Rangemaster continuously seeks improvements in specification, design and production of products and thus, alterations take place periodically. Whilst every effort is made to produce up to date resources, the information included here is intended as a guide. Always consult a tradesman.

LINEAR 18/10 STAINLESS STEEL INSET SINK LN9502/TCAD4-AN

Cut Out Template
Dimensions in mm. Not to scale.



AGA Rangemaster continuously seeks improvements in specification, design and production of products and thus, alterations take place periodically. Whilst every effort is made to produce up to date resources, the information included here is intended as a guide. Always consult a tradesman.