

LINEAR 18/10 STAINLESS STEEL INSET SINK

LR1160/



Size: 1160 x 508 mm

The Linear collection is a popular range thanks to its versatile styling, the design features classic lines paired with soft bowls. The Linear collection is available in an array of sizes, finishes and bowl configurations, offering a solution for every installation.

- Fits a 500mm cabinet
- Features a double drainer
- Polished
- Manufactured from 18/10 stainless steel
- 0.9 gauge steel
- 10 year warranty

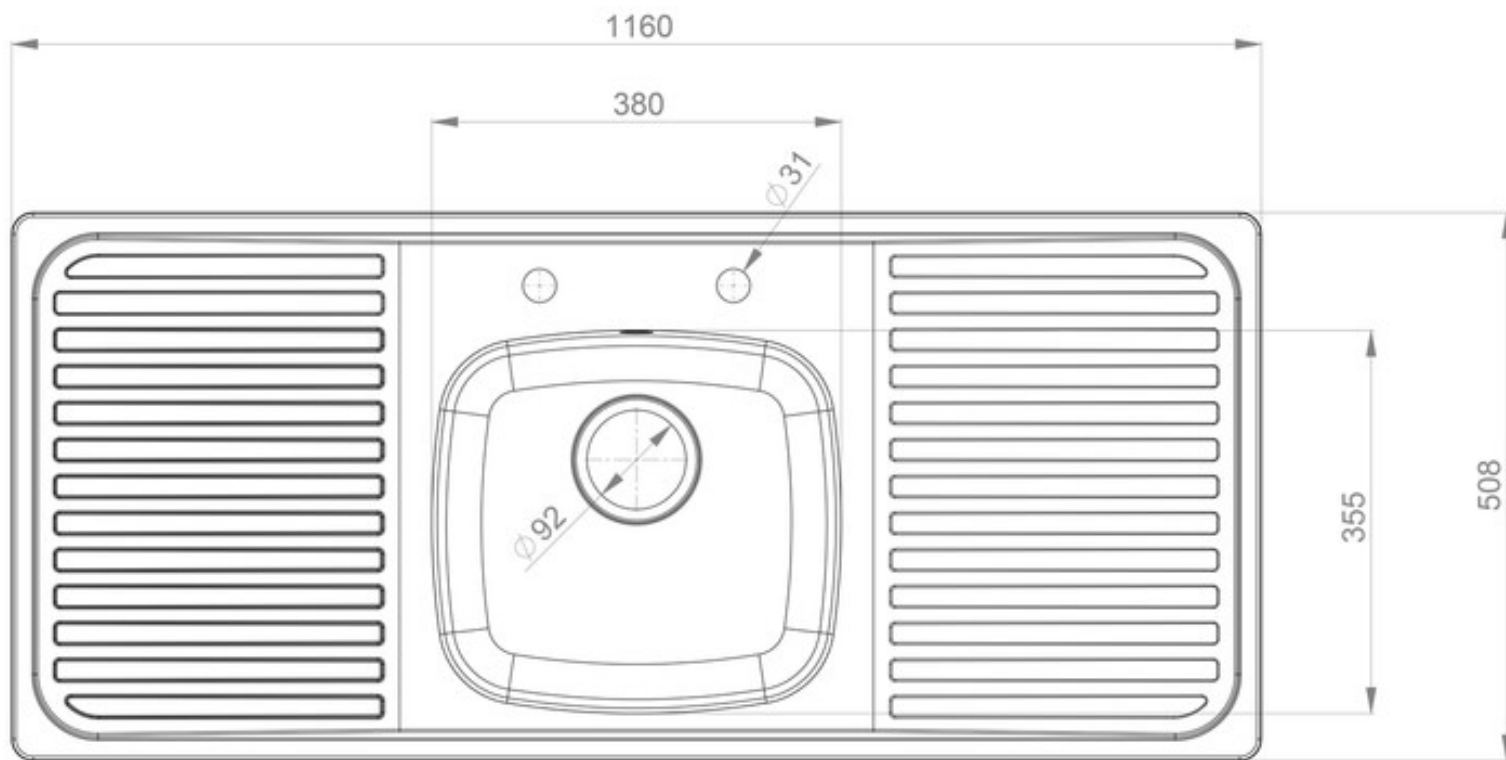
Waste kit sold separately, please order WKIT09/

Material
Material Gauge
Material Finish Bowl
Material Finish Drainer
Drainer Position
Overall Length (mm)
Overall Width (mm)
Main Bowl Length (mm)
Main Bowl Width (mm)
Main Bowl Depth (mm)
Second Bowl Length (mm)
Second Bowl Width (mm)
Second Bowl Depth (mm)
Tap hole Size (mm)
Waste Size (mm)
Waste Kit:
Min. Base Unit (mm)
Cutout Size Length (mm)
Cutout Size Width (mm)
Warranty Sinks (years)
Product Code
Barcode

LINEAR 18/10 STAINLESS STEEL INSET SINK

LR1160/

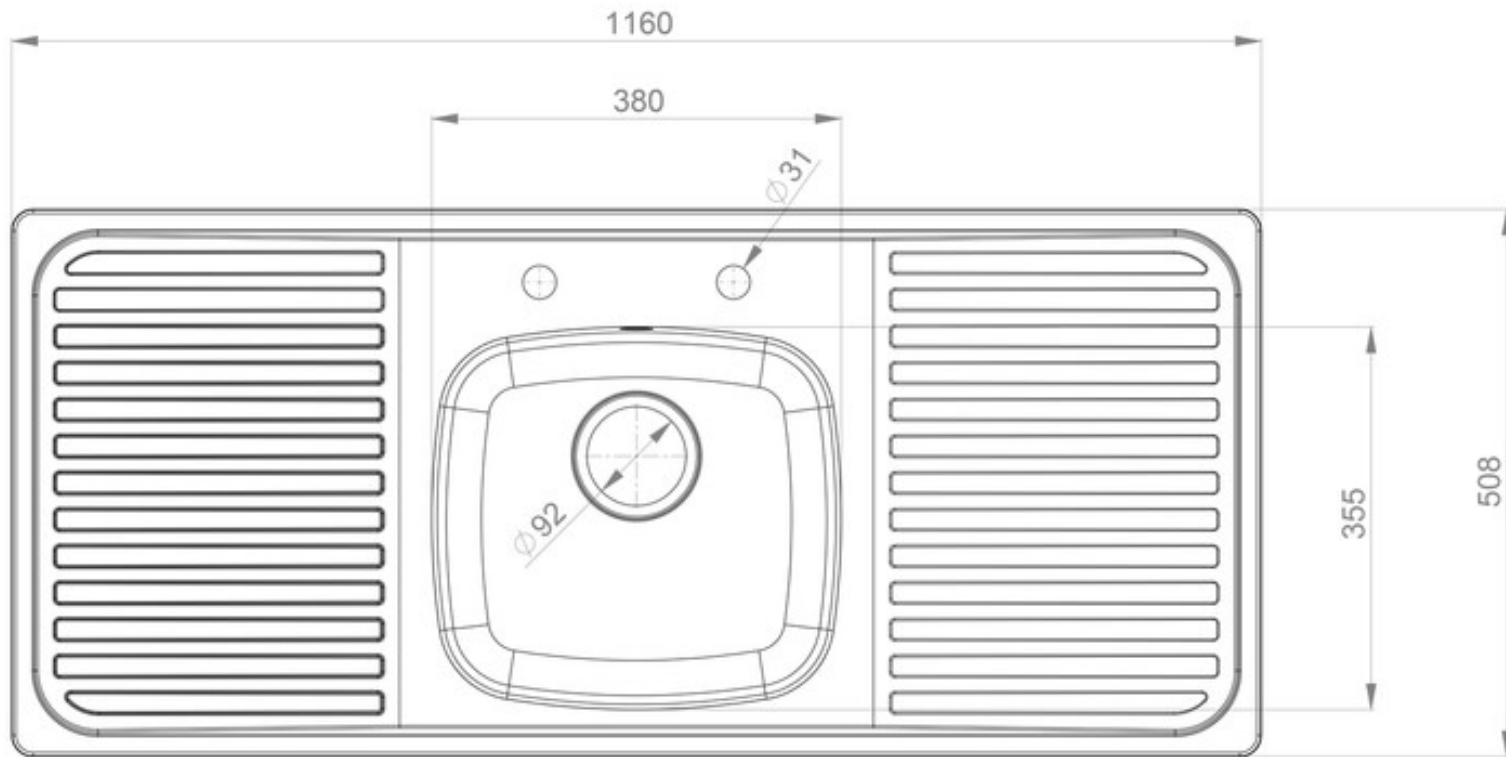
Technical Drawing



AGA Rangemaster continuously seeks improvements in specification, design and production of products and thus, alterations take place periodically. Whilst every effort is made to produce up to date resources, the information included here is intended as a guide. Always consult a tradesman.

LINEAR 18/10 STAINLESS STEEL INSET SINK LR1160/

Cut Out Template
Dimensions in mm. Not to scale.



AGA Rangemaster continuously seeks improvements in specification, design and production of products and thus, alterations take place periodically. Whilst every effort is made to produce up to date resources, the information included here is intended as a guide. Always consult a tradesman.