

# LINEAR 18/10 STAINLESS STEEL INSET SINK

## LR950/TCAF1-AN



Size: 950 x 508 mm

The Linear collection is a popular range thanks to its versatile styling, the design features classic lines paired with soft bowls. The Linear collection is available in an array of sizes, finishes and bowl configurations, offering a solution for every installation.

- Complete pack: includes sink, tap and compatible waste kit
- Fits a 500mm cabinet
- Sink features a reversible drainer in a satin/bright finish
- Sink is manufactured from 18/10 stainless steel
- Single lever tap in chrome finish
- WRAS approved tap
- Reduced waste and overflow kit included
- 10 year warranty for sink, 5 year warranty for tap

|                         |  |
|-------------------------|--|
| Material                | 18/10 Stainless Steel                              |
| Material Gauge          | 0.6  |
| Material Finish Bowl    | Satin  |
| Material Finish Drainer | Bright   |
| Drainer Position        | Reversible   |
| Overall Length (mm)     | 950  |
| Overall Width (mm)      | 508  |
| Main Bowl Length (mm)   | 420  |
| Main Bowl Width (mm)    | 350  |
| Main Bowl Depth (mm)    | 160  |
| Second Bowl Length (mm) | -  |
| Second Bowl Width (mm)  | -  |
| Second Bowl Depth (mm)  | -  |
| Tap hole Size (mm)      | 1 x 35   |
| Waste Size (mm)         | 1 x 52   |
| Waste Kit:              | Included with sink (1 x 60mm waste & overflow kit) |
| Min. Base Unit (mm)     | 500  |
| Cutout Size Length (mm) | 930  |
| Cutout Size Width (mm)  | 488  |
| Warranty Sinks (years)  | 10   |
| Product Code            | LR950/TCAF1-AN                                     |
| Barcode                 | 5015834044064                                      |

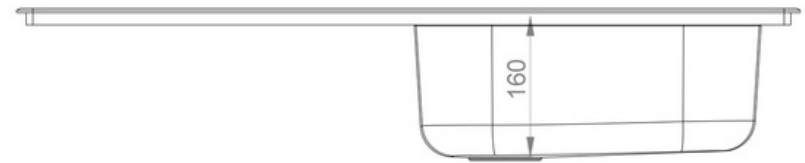
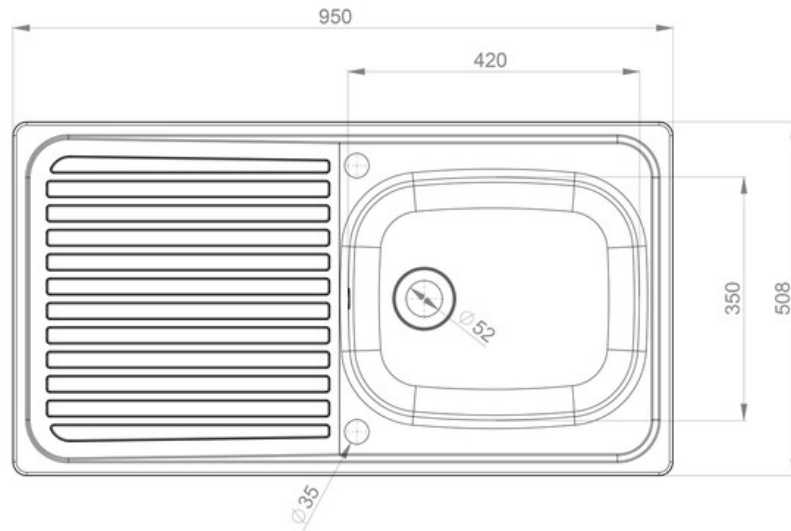
Date of download: May 13, 2021

AGA Rangemaster continuously seeks improvements in specification, design and production of products and thus, alterations take place periodically. Whilst every effort is made to produce up to date resources, the information included here is intended as a guide. Always refer to the installation instructions when fitting, installation work should be completed by a professional tradesman.

# LINEAR 18/10 STAINLESS STEEL INSET SINK

LR950/TCAF1-AN

Technical Drawing



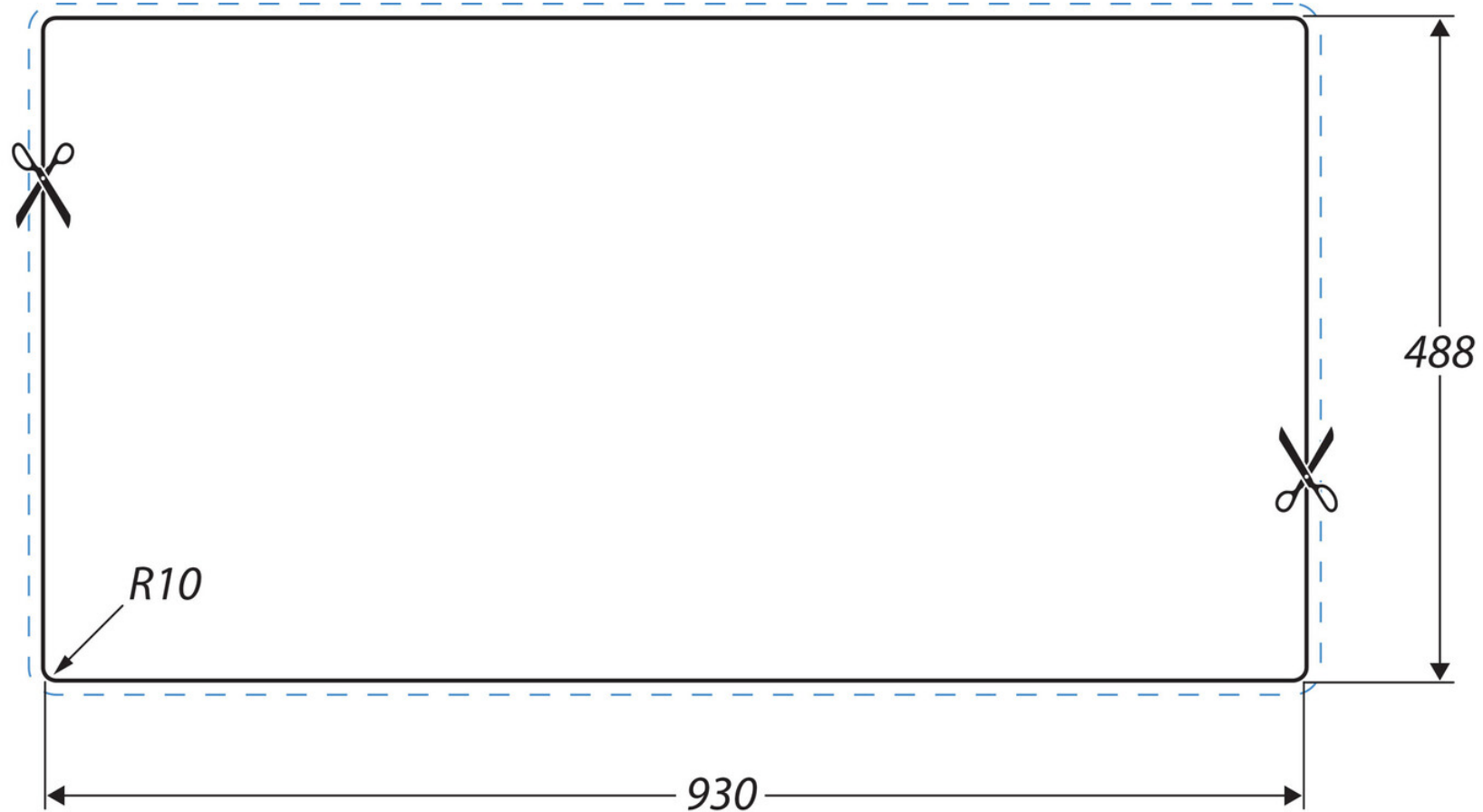
Date of download: May 13, 2021

AGA Rangemaster continuously seeks improvements in specification, design and production of products and thus, alterations take place periodically. Whilst every effort is made to produce up to date resources, the information included here is intended as a guide. Always refer to the installation instructions when fitting, installation work should be completed by a professional tradesman.

# LINEAR 18/10 STAINLESS STEEL INSET SINK

LR950/TCAF1-AN

Cut Out Template  
Dimensions in mm. Not to scale.



Date of download: May 13, 2021

AGA Rangemaster continuously seeks improvements in specification, design and production of products and thus, alterations take place periodically. Whilst every effort is made to produce up to date resources, the information included here is intended as a guide. Always refer to the installation instructions when fitting, installation work should be completed by a professional tradesman.