

PROLINE 18/10 STAINLESS STEEL INSET SINK PL9852L/



Size: 985 x 508 mm

The Proline collection features generous bowls with a main bowl depth of 190mm, its polished finish and handed drainer offers a premium finished look to your kitchen scheme.

- Left-hand drainer
- Polished finish
- Manufactured from 18/10 stainless steel
- 10 year warranty

Waste kit included.

Material	18/10 Stainless Steel
Material Gauge	0.9
Material Finish Bowl	Polished
Material Finish Drainer	Polished
Drainer Position	Left_hand
Overall Length (mm)	985
Overall Width (mm)	508
Main Bowl Length (mm)	350
Main Bowl Width (mm)	420
Main Bowl Depth (mm)	190
Second Bowl Length (mm)	156
Second Bowl Width (mm)	342
Second Bowl Depth (mm)	120
Tap hole Size (mm)	1 x 35
Waste Size (mm)	2 x 92
Waste Kit:	Waste kit included (2 x BSW wastes)
Min. Base Unit (mm)	600
Cutout Size Length (mm)	965
Cutout Size Width (mm)	488
Warranty Sinks (years)	10
Product Code	PL9852L/
Barcode	5015834030944

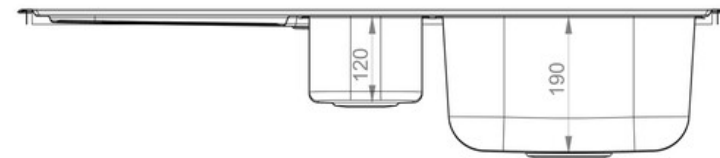
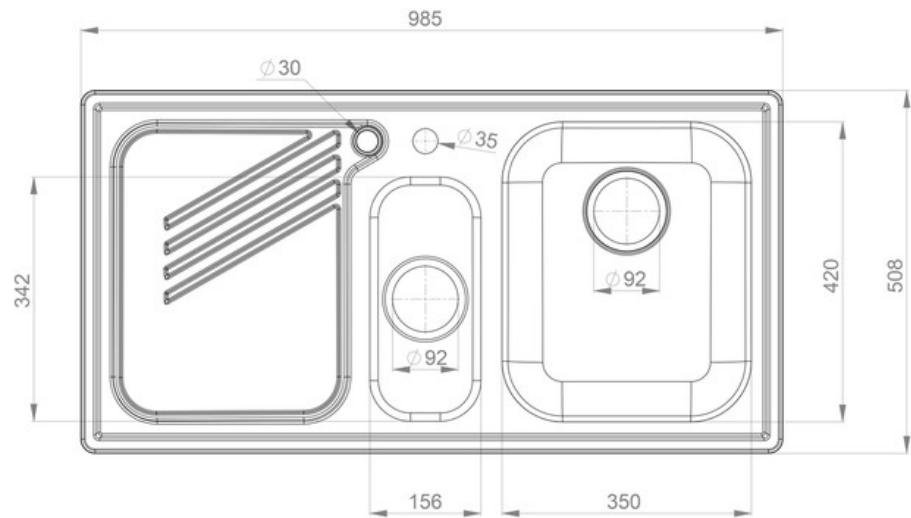
Date of download: May 13, 2021

AGA Rangemaster continuously seeks improvements in specification, design and production of products and thus, alterations take place periodically. Whilst every effort is made to produce up to date resources, the information included here is intended as a guide. Always refer to the installation instructions when fitting, installation work should be completed by a professional tradesman.

PROLINE 18/10 STAINLESS STEEL INSET SINK

PL9852L/

Technical Drawing



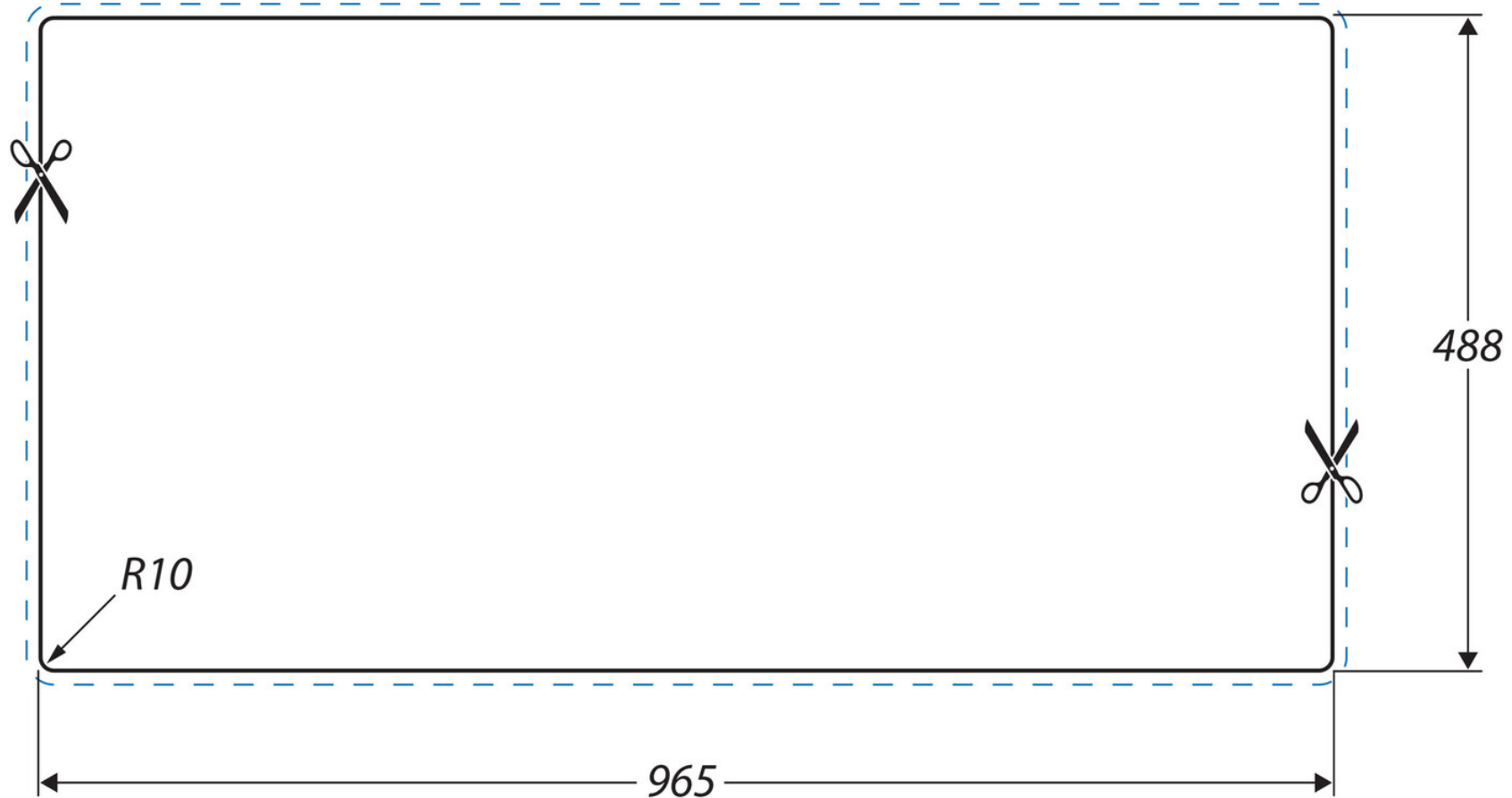
Date of download: May 13, 2021

AGA Rangemaster continuously seeks improvements in specification, design and production of products and thus, alterations take place periodically. Whilst every effort is made to produce up to date resources, the information included here is intended as a guide. Always refer to the installation instructions when fitting, installation work should be completed by a professional tradesman.

PROLINE 18/10 STAINLESS STEEL INSET SINK

PL9852L/

Cut Out Template
Dimensions in mm. Not to scale.



Date of download: May 13, 2021

AGA Rangemaster continuously seeks improvements in specification, design and production of products and thus, alterations take place periodically. Whilst every effort is made to produce up to date resources, the information included here is intended as a guide. Always refer to the installation instructions when fitting, installation work should be completed by a professional tradesman.