

SEATTLE 18/10 STAINLESS STEEL INSET SINK SE9501POL/TCVR1



Size: 950 x 508 mm

The Seattle collection features generous bowls paired with a modern drainer design, thanks to its high-sheen polished finish this sink stands out from the crowd.

- Complete pack: includes sink, tap and compatible waste kit
- Sink features a reversible drainer in a polished finish
- Sink is manufactured from 18/10 stainless steel
- Dual lever tap in chrome finish
- Basket strainer waste and overflow kit included
- 10 year warranty for sink, 5 year warranty for tap

Material	18/10 Stainless Steel
Material Gauge	0.7
Material Finish Bowl	Polished
Material Finish Drainer	Polished
Drainer Position	Reversible
Overall Length (mm)	950
Overall Width (mm)	508
Main Bowl Length (mm)	360
Main Bowl Width (mm)	424
Main Bowl Depth (mm)	155
Second Bowl Length (mm)	-
Second Bowl Width (mm)	-
Second Bowl Depth (mm)	-
Tap hole Size (mm)	1 x 35
Waste Size (mm)	1 x 92
Waste Kit:	Included with sink (1 x BSW & overflow kit)
Min. Base Unit (mm)	500
Cutout Size Length (mm)	930
Cutout Size Width (mm)	488
Warranty Sinks (years)	10
Product Code	SE9501POL/TCVR1
Barcode	5015834046686

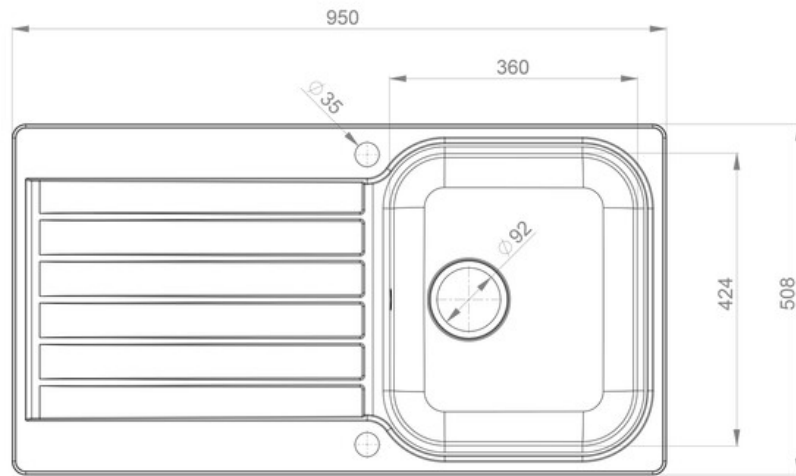
Date of download: May 13, 2021

AGA Rangemaster continuously seeks improvements in specification, design and production of products and thus, alterations take place periodically. Whilst every effort is made to produce up to date resources, the information included here is intended as a guide. Always refer to the installation instructions when fitting, installation work should be completed by a professional tradesman.

SEATTLE 18/10 STAINLESS STEEL INSET SINK

SE9501POL/TCVR1

Technical Drawing



Date of download: May 13, 2021

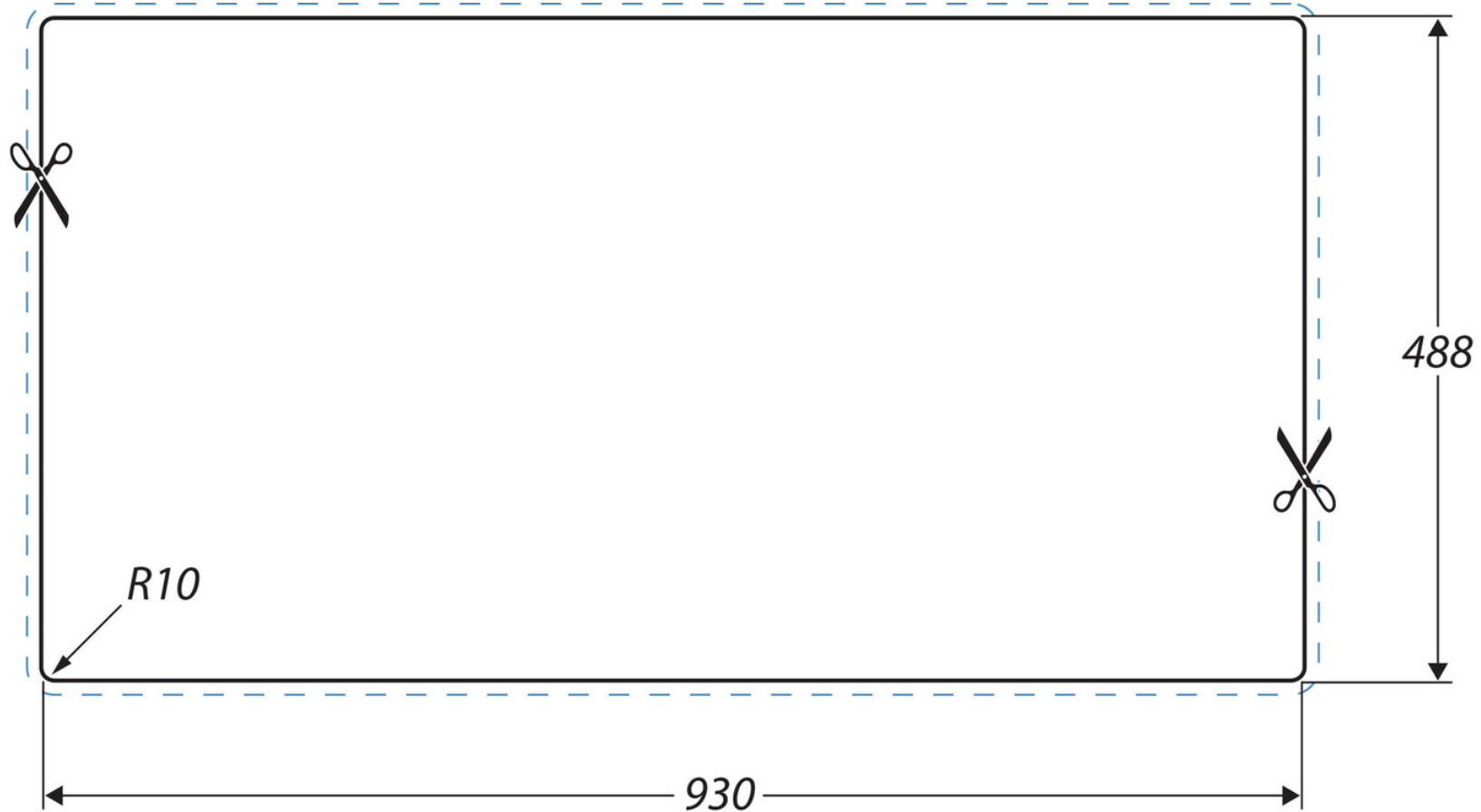
AGA Rangemaster continuously seeks improvements in specification, design and production of products and thus, alterations take place periodically. Whilst every effort is made to produce up to date resources, the information included here is intended as a guide. Always refer to the installation instructions when fitting, installation work should be completed by a professional tradesman.

SEATTLE 18/10 STAINLESS STEEL INSET SINK

SE9501POL/TCVR1

Cut Out Template

Dimensions in mm. Not to scale.



Date of download: May 13, 2021

AGA Rangemaster continuously seeks improvements in specification, design and production of products and thus, alterations take place periodically. Whilst every effort is made to produce up to date resources, the information included here is intended as a guide. Always refer to the installation instructions when fitting, installation work should be completed by a professional tradesman.