

## SEATTLE 18/10 STAINLESS STEEL INSET SINK SE9502POL/



Size: 950 x 508 mm

The Seattle collection features generous bowls paired with a modern drainer design, thanks to its high-sheen polished finish this sink stands out from the crowd.

- Reversible drainer
- Polished finish
- Manufactured from 18/10 stainless steel
- 10 year warranty

Waste kit sold separately, please order WKIT04/ or WKIT23/

|                         |                                       |
|-------------------------|---------------------------------------|
| Material                | 18/10 Stainless Steel                 |
| Material Gauge          | 0.7                                   |
| Material Finish Bowl    | Polished                              |
| Material Finish Drainer | Polished                              |
| Drainer Position        | Reversible                            |
| Overall Length (mm)     | 950                                   |
| Overall Width (mm)      | 508                                   |
| Main Bowl Length (mm)   | 360                                   |
| Main Bowl Width (mm)    | 424                                   |
| Main Bowl Depth (mm)    | 155                                   |
| Second Bowl Length (mm) | 156                                   |
| Second Bowl Width (mm)  | 300                                   |
| Second Bowl Depth (mm)  | 125                                   |
| Tap hole Size (mm)      | 1 x 35                                |
| Waste Size (mm)         | 2 x 92                                |
| Waste Kit:              | Sold separately, please order WKIT04/ |
| Min. Base Unit (mm)     | 600                                   |
| Cutout Size Length (mm) | 930                                   |
| Cutout Size Width (mm)  | 488                                   |
| Warranty Sinks (years)  | 10                                    |
| Product Code            | SE9502POL/                            |
| Barcode                 | 5015834031736                         |

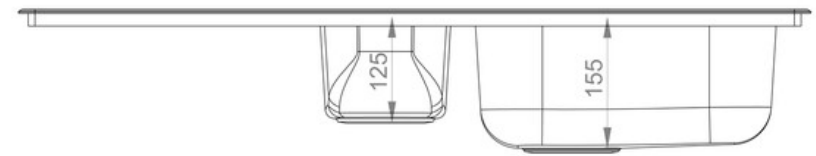
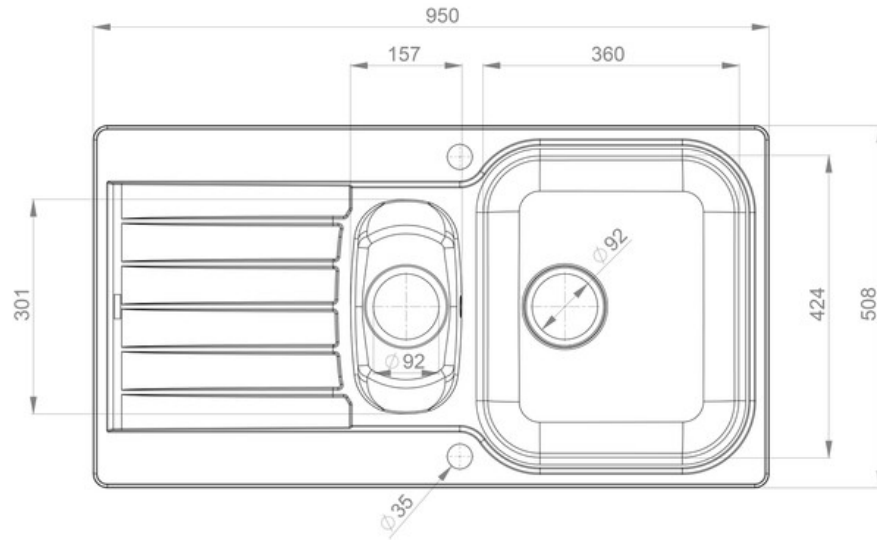
Date of download: May 13, 2021

AGA Rangemaster continuously seeks improvements in specification, design and production of products and thus, alterations take place periodically. Whilst every effort is made to produce up to date resources, the information included here is intended as a guide. Always refer to the installation instructions when fitting, installation work should be completed by a professional tradesman.

# SEATTLE 18/10 STAINLESS STEEL INSET SINK

SE9502POL/

Technical Drawing



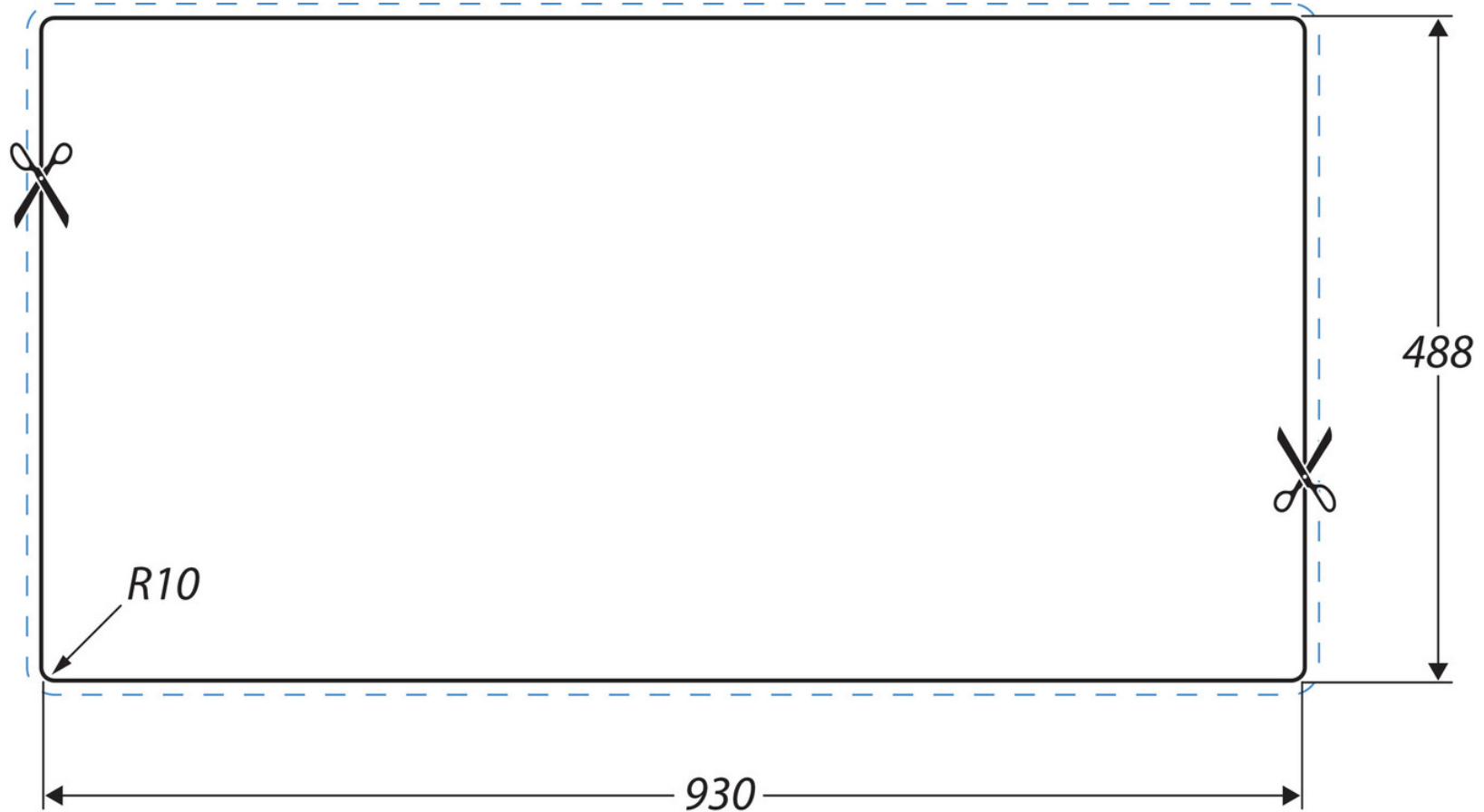
Date of download: May 13, 2021

AGA Rangemaster continuously seeks improvements in specification, design and production of products and thus, alterations take place periodically. Whilst every effort is made to produce up to date resources, the information included here is intended as a guide. Always refer to the installation instructions when fitting, installation work should be completed by a professional tradesman.

# SEATTLE 18/10 STAINLESS STEEL INSET SINK

SE9502POL/

Cut Out Template  
Dimensions in mm. Not to scale.



Date of download: May 13, 2021

AGA Rangemaster continuously seeks improvements in specification, design and production of products and thus, alterations take place periodically. Whilst every effort is made to produce up to date resources, the information included here is intended as a guide. Always refer to the installation instructions when fitting, installation work should be completed by a professional tradesman.